

PARTS DRAWING AND LIST

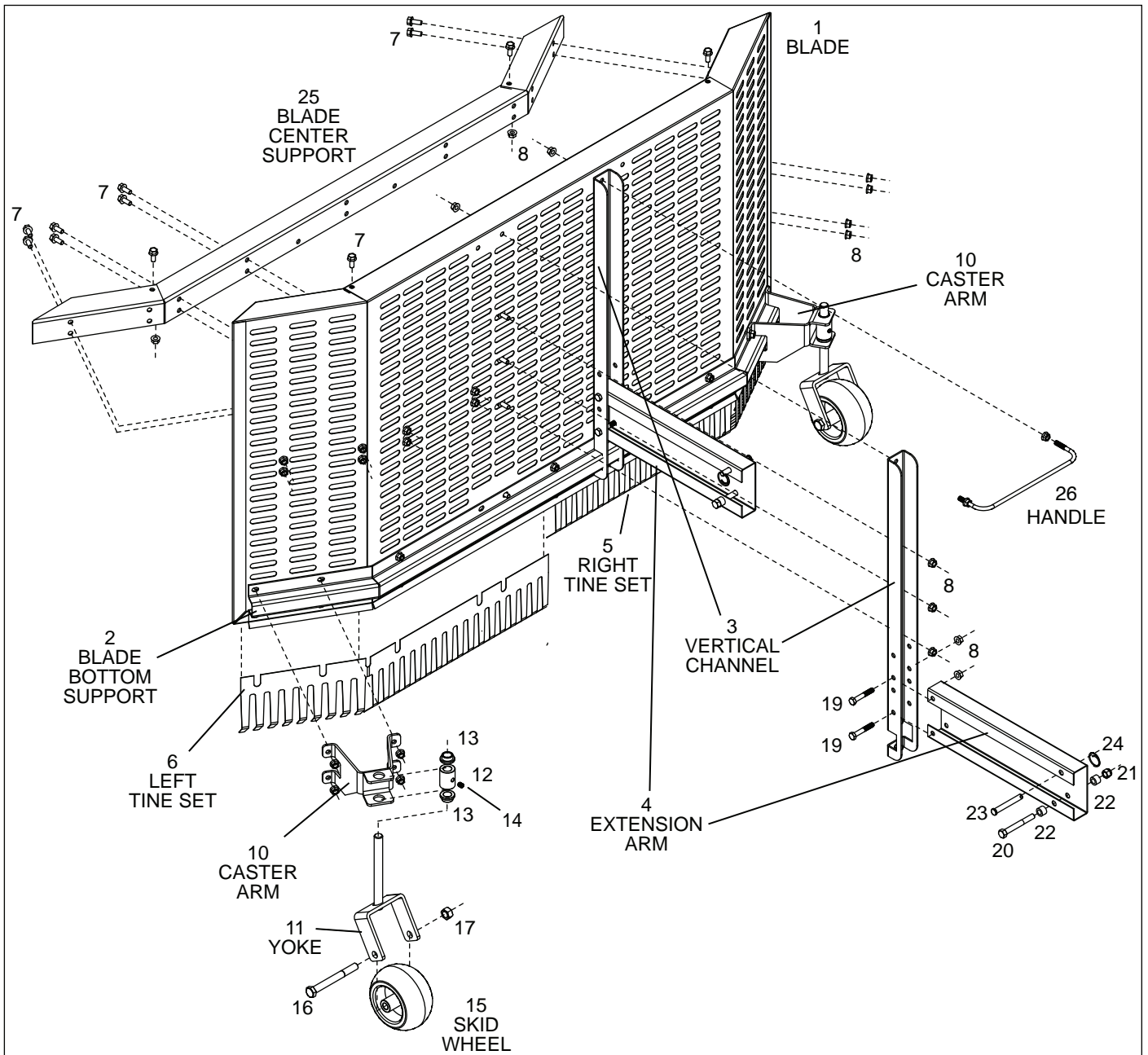


Fig. 1. JRCO LEAF BLADE Plow Parts Drawing

Table 1. Parts List

Drawing No.	Part No.	Description	Qty.
1	7340	Blade	1
2	7341	Blade bottom support	1
3	7342	Vertical channels	2
4	7343	Extension arms	2
5	7410R	Right tine set SS	1
6	7410L	Left tine set SS	1
7	7232	Whiz bolts 5/16-18 x 3/4	46
8	7247	Whiz nuts 5/16-18	50
10	8438	Caster arm with bearings	2
11	7412	Yokes	2
12	4661	Shaft collars	2
13	4683-2	Oilite flange bearings .627	4

Drawing No.	Part No.	Description	Qty.
14	7281	Set screws 5/16-18 x 1/4	2
15	7348	Skid wheels 5 x 3	2
16	7411	HH capscrews 1/2-13 x 4 1/2	2
17	4233	Two-way hex locknuts 1/2-13	2
19	7295	HH capscrews 5/16-18 x 2	4
20	7297	HH capscrews 3/8-16 x 3	2
21	7279	Nylocks 3/8-16	2
22	5516	Bumper spacers 3/8 x 5/8 x 7/16	4
23	4684	Clevis pins 3/8 x 2 3/4	2
24	4110	Circle cotters 1 1/8 in.	2
25	7400	Blade center support	1
26	8439	Handle	1

HH= Hex head; SS= Stainless steel