

Fig.1. Parts Drawing

Key No.	Part No.	Description	Qty
1	7511	Iron base	1
2	4240	HH capscrew 1/2-13 x 1	2
3	7239	Lockwasher 1/2	2
4	7473	Hopper support	1
5	7365-1	Vertical u-channel	2
6	7937	HH capscrew 3/8-16 x 3/4	4
7	7936	Nylock 3/8-16	4
8	7938	HH capscrew 3/8-16 x 2 1/4	2
9	4684	Clevis pin 3/8 x 2 3/4	4
10	4110	Circle cotter 1 1/8	4

Key No.	Part No.	Description	Qty
11	7964	Speed control	1
14	7930	HH capscrew 1/4-20 x 1 1/2	2
15	7482	Spacer black	2
16	7932	Whiz nut 1/4-20	2
17	7442-1	Moisture cover	1
18	7375	Hopper	1
19	7507	Dust shield	1
20	7126	Plastic rivet	4

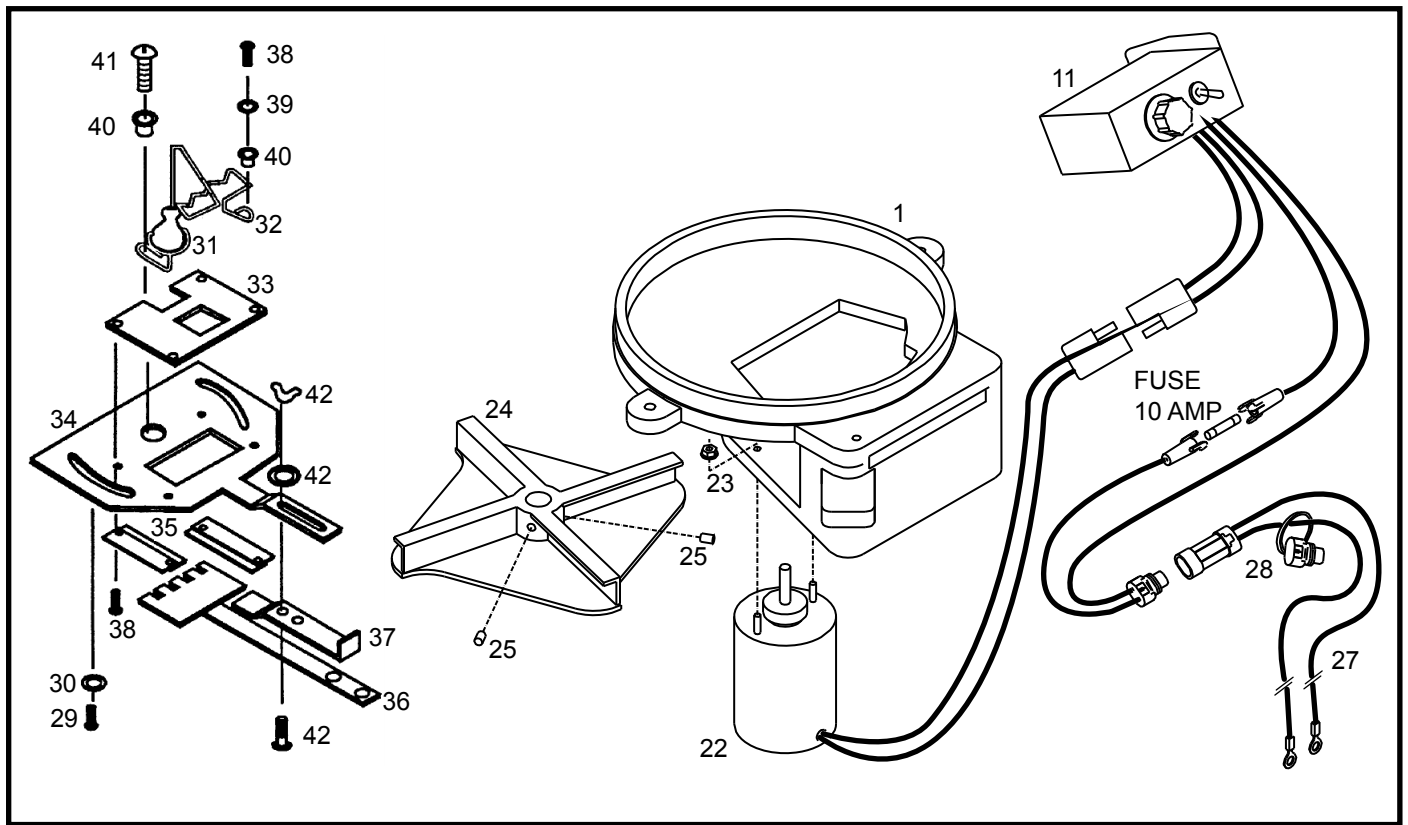
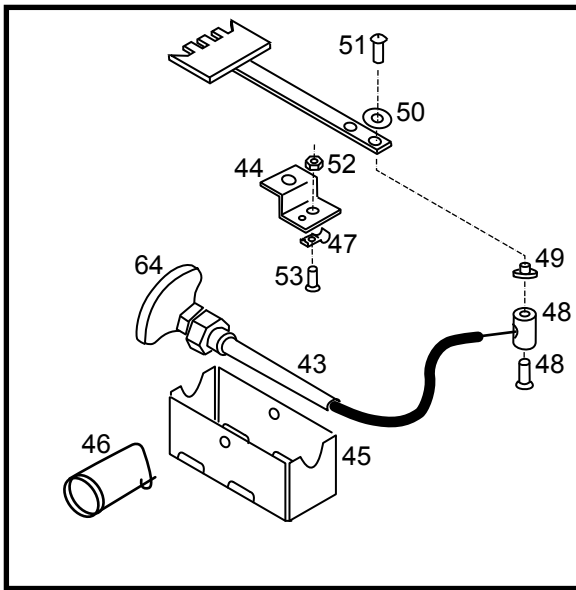


Fig. 2. Gate Assembly, Fan, Motor, Speed Control Parts

Key No.	Part No.	Description	Qty
	22	7512A Motor 12v DC	1
Option	7505	Motor 12v DC Heavy Duty	
	23	7515 Whiz nut 10-32	2
	24	7513 Fan aluminum	1
	25	7514 Set screw 1/4-20 x 5/16	2
	27	7430-4 Battery harness 6ft.	1
	28	7430-5 Connector cap	1
	29	7529 HH capscrew 1/4-20 x 1/2	3
	30	7530 Flatwasher 1/4	2
	31	7522 Nipple -- standard	1
Option	7522-1	Nipple -- synthetic	
	32	7521 Agitator	1
	33	7523 Blocking plate	1

Key No.	Part No.	Description	Qty
	34	7524 Pivot plate	1
	35	7528 Gate guide assembly (pair)	2
	36	7526 Opening plate with linkage	1
	37	7527 Gauge control plate	1
	38	7518 RH screw 10-24 x 3/8	5
	39	7429 Flatwasher #10	1
	40	7520 Bronze bushing	2
	41	7517 RH screw #10 x 1/2 lefthand	1
	42	7531 Wing nut 1/4-20	1
		Whiz bolt 1/4-20 x 1/2	1
		Flatwasher 1/4	1



Key No.	Part No.	Description	Qty
43	7435-1	Push/pull cable 6 ft.	1
44	7416	Cable bracket SS	1
45	7417-1	Cable mount	1
46	4009	Safety clip	1
47	7432	Cable clamp	1
48	7426	Throttle stop and screw	1
49	7418	Shoulder washer #8	1
50	7419	External lock washer #8	1
51	7422	PH screw 8-32 x 5/16	1
52	7427	Nylock 10-24	1
53	7428	PH screw 10-24 x 1/2	1
64	7589	Knob push/pull cable	1

Fig. 3. Cable Control (502) Parts Drawing

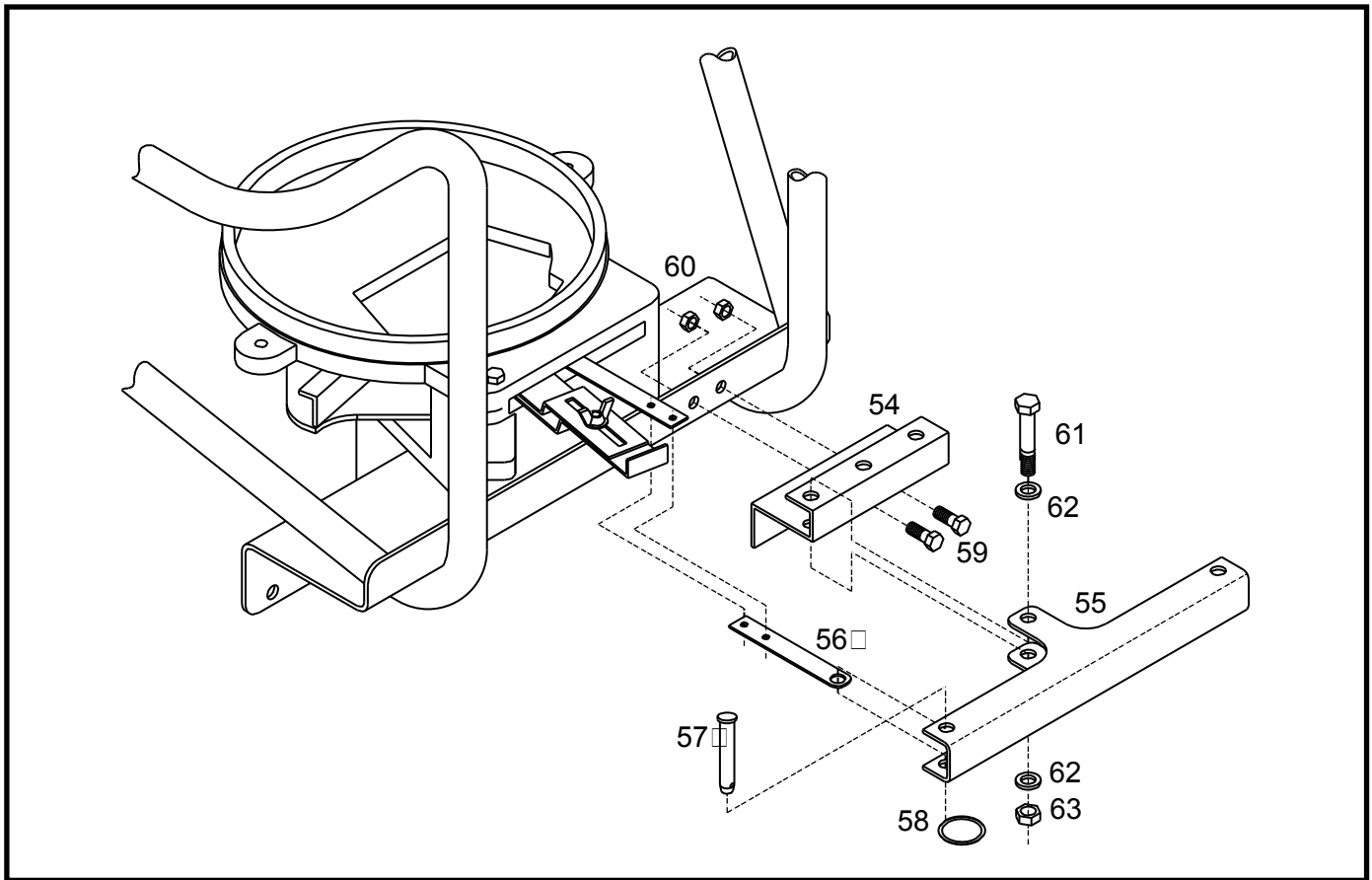


Fig. 4. Foot Control (Model 501) Parts Drawing

Key No.	Part No.	Description	Qty
54	7591	Foot mount bracket	1
55	7592	Foot T- control	1
56	7593	Foot gate link	1
57	7940	Clevis pin 3/8 x 1 3/4	1
58	4110	Circle cotter 1 1/8	1
59	7934	HH capscrew 5/16-18 x 3/4	2

Key No.	Part No.	Description	Qty
60	7935	Whiz nut 5/16-18	2
61	7938	HH capscrew 3/8-16 x 2 1/4	1
62	7939	Flatwasher 3/8	2
63	7936	Nylock 3/8-16	1