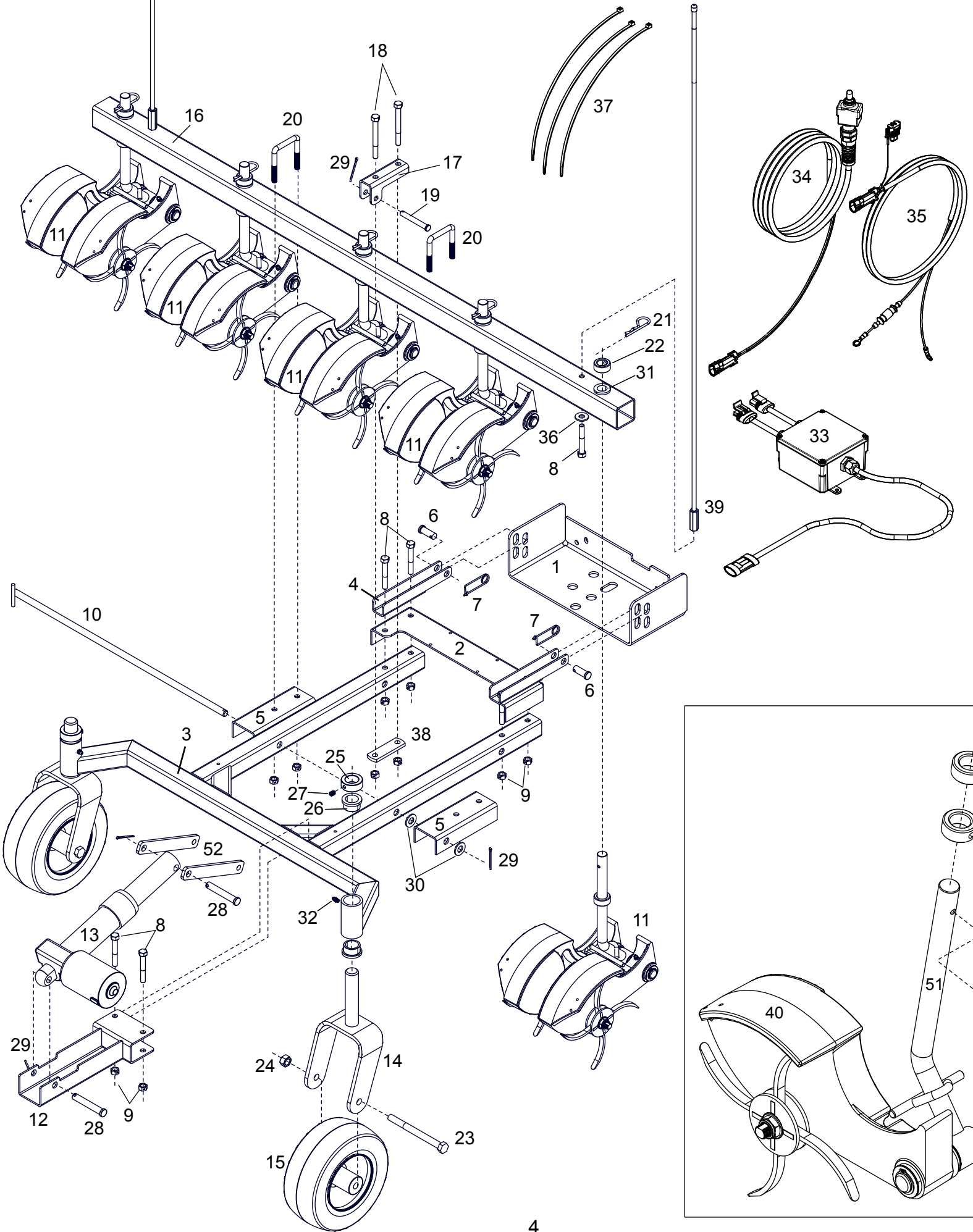
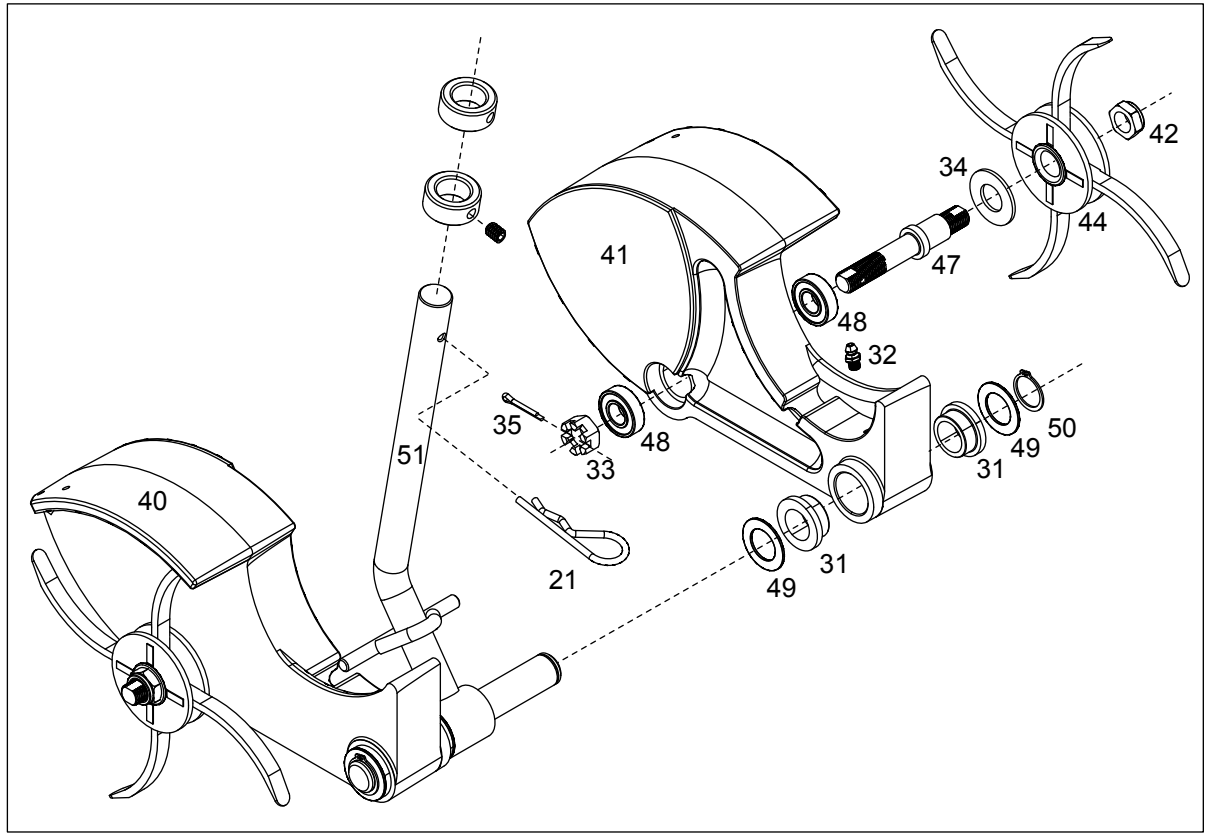


# Frame Assembly



Key Number	Part Number	Description	Qty.	Key Number	Part Number	Description	Qty.
1	5016	Box Hitch	1	21	3045	Hairpin Cotter	5
2	7805-2	Stabilizer Frame	1	22	7828	Shaft Collar, 3/4"	10
3	8281	Frame Assembly	1	23	8093	HH Bolt, 1/2 x 5 1/2"	2
4	7883	Tow Tongue	2	24	4233	2-way locknut, 1/2-13	2
5	7803-1	Pivot Arm	2	25	7915	Shaft Collar, 1"	2
6	4003	Clevis Pin, 1/2 x 1 1/4"	2	26	7583-1	Flange Bushing, 1"	4
7	4009	Safety Clip	2	27	7281	Set Screw, 5/16-18 x 1/4"	7
8	7278	HH Bolt, 3/8 x 2 1/2"	8	28	8272	Clevis Pin 1/2 x 3	2
9	4236	2-way locknut, 3/8-16	12	29	7251	Cotter Pin, 1/8 x 1 1/2	3
10	7806-1	Pivot Rod 5/8"	1	30	3047	Washer, 5/8" SAE	4
11	7842-3	Aerator Head Assembly	5	31	7873	Flange Bushing, 3/4"	30
12	7809-2	Actuator Mount	1	32	7816	Grease Fitting	12
13	7833-2	Actuator	1	33	8275	Relay box	1
14	7914	Yoke	2	34	8276	Switch Harness	1
15	7867	Wheel, 9 x 3.5x4	2	35	8277	Battery Harness	1
16	7844-2	Caster Bar Assembly	1			Fuse AGC-30	1
17	7808	Top Pivot	1	36	4247	Flatwasher, 3/8"	2
18	7308	HH Bolt, 3/8 x 3 1/2"	2	37	7243	Cable Tie, 11"	12
19	4684	Clevis Pin, 3/8 x 2 3/4"	1	38	4671-3	Clamp Bar 3.3"	1
20	7811	U-bolt, 3/8-16 x 2 x 2 3/4"	2	39	7906	Sight Flag	2
				52	7947	Actuator Link	2

# Caster Head Assembly



Key Number	Part Number	Description	Qty/unit	Qty/Head
31	7873	Flange Bushing, 3/4"	30	4
32	7816	Grease Fitting	12	2
33	8288	Castle Nut, 1/2-20	10	2
34	3047	SAE Flatwasher, 5/8"	10	2
35	7846	Cotter Pin, 1/8 x 3/4"	10	2
40	7904R	Casting, Right	5	1
41	7904L	Casting, Left	5	1
42	7908	Nylon Locknut, 1/2-20	10	4
43	8268	Spanner, .5 id	10	2
44	7860	Tine Rotor	10	2
45	7865	Washer, 1/2 x .062	20	4
46	8269	Snap Ring, 1/2" External	10	2
47	8267	Axle	10	2
48	8270	Bearing, 1 1/8 x 5/16 x 1/2"	20	4
49	7818	Machine Bushing, 3/4"	20	4
50	7942	Snap Ring, 3/4" External	10	2
51	7823-1	Caster Pin	5	1